

DH-HAC-HFW1239C(-A)-LED

2MP Full-color HDCVI Bullet Camera



* The parameters and datasheets below can only be applied to 1239-S2 series.

- 24/7 color imaging, Max. 30 fps@1080p
- 20 m illumination distance
- Super Adapt, 130 dB true WDR, 3D NR
- Built-in mic (-A)
- 3.6 mm fixed lens (2.8 mm optional)
- CVI/CVBS/AHD/TVI switchable
- IP67, DC 12 V



System Overview

Lite Series is suitable for users who requires high quality monitoring products at a reasonable price. It is cost effective and offers high performance, which makes it an ideal choice for residential and small-medium business applications. This series offers an option of a wide range of technologies such as Full-color and Starlight, providing various solutions for different scenarios.

Functions

Full-color

Full-color camera adopts large aperture lens and high performance sensor. With higher amount of absorbed light and advanced image processing algorithm, the camera provides 24/7 color monitoring that collects clear and vivid information, significantly increasing probability of gathering valid human, vehicle, and event evidence that can be used for further intelligent analysis.

Broadcast-quality Audio

Audio information is used as supplementary evidence in video surveillance applications. The HDCVI camera supports audio signal transmission over coaxial cable. In addition, it adopts unique audio processing and transmission technology that best restores source audio and eliminates noise, guaranteeing the quality and effectiveness of collected audio information.

Wide Dynamic Range

With advanced Wide Dynamic Range (WDR) technology, Dahua HDCVI camera provides clear details in the environment of strong brightness contrast. The bright and dark area can get clear video even in high brightness environment or with backlight shadow.

Super Adapt

Embedded with intelligent algorithm, for changing external environment, camera can automatically adjust parameters to present the optimal image, and it solves the trouble of configuration.

Advanced 3DNR

3DNR is noise reduction technology that detects and eliminates random noises by comparing two sequential frames. Dahua's advanced 3DNR technology allows remarkable noise reduction with little impact to sharpness, especially under limited lighting condition. Besides, the advanced 3DNR effectively decreases the band width and saves the storage space.

Warm Supplemental lights

With warm supplemental LED lights, the camera is able to provide a colorful and vivid image even in total darkness. By default, the camera is set to smart light mode, in which the camera can automatically adjust the exposure time and light sensitivity simultaneously to avoid overexposing of the objects in the image center.

4 Signals over 1 Coaxial Cable

HDCVI technology supports 4 signals to be transmitted over 1 coaxial cable simultaneously, i.e. video, audio*, data and power. Dual-way data transmission allows the HDCVI camera to interact with the XVR, such as sending control signal or triggering alarm. Moreover, HDCVI technology supports PoC for construction flexibility.

* Audio input is available for some models of HDCVI cameras.

Easy Installation

HDCVI quick-to-install eyeball adopts quick-to-install pedestal, which can achieve easier installation than conventional eyeball. Quick-to-install camera reduces time and labor costs.

Protection (IP67, wide voltage)

IP67: The camera passes a series of strict test on dust and soak. It has dust-proof function, and the enclosure can works normal after soaking in 1 m deep water for 30 minutes.

Wide voltage: The camera allows $\pm 30\%$ (for some power supplies) input voltage tolerance (wide voltage range), and it is widely applied to outdoor environment with instable voltage.

Technical Specification

Camera

Image Sensor	1/2.8" CMOS
Max. Resolution	1920 (H) × 1080 (V)
Pixel	2MP
Scanning System	Progressive
Electronic Shutter Speed	PAL: 1/25 s–1/100,000 s NTSC: 1/30 s–1/100,000 s
S/N Ratio	> 65 dB
Min. Illumination	0.001 Lux/F1.6, 30IRE, 0 Lux LED on
Illumination Distance	20 m (65.6 ft)
Illuminator On/Off Control	Auto; manual
Illuminator Number	1
Pan/Tilt/Rotation Range	Pan: 0°–360° Tilt: 0°–90° Rotation: 0°–360°

Lens

Lens Type	Fixed lens				
Mount Type	M12				
Focal Length	2.8 mm; 3.6 mm				
Max. Aperture	F1.6				
Field of View	2.8 mm: H: 107°; V: 56°; D: 127° 3.6 mm: H: 86°; V: 46°; D: 101°				
Iris Type	Fixed iris				
Close Focus Distance	2.8 mm: 0.7 m (2.3 ft) 3.6 mm: 1.1 m (3.6 ft)				
DORI Distance	Lens	Detect	Observe	Recognize	Identify
	2.8 mm	43.9 m (144 ft)	17.5 m (57.4 ft)	8.8 m (28.9 ft)	4.4 m (14.4 ft)
	3.6 mm	53.7 m (176.2 ft)	21.5 m (70.5 ft)	10.7 m (35.1 ft)	5.4 m (17.7 ft)

Video

Frame Rate	CVI: PAL: 1080p@25 fps; NTSC: 1080p@30 fps; AHD: PAL: 1080p@25 fps; NTSC: 1080p@30 fps; TVI: PAL: 1080p@25 fps; NTSC: 1080p@30 fps; CVBS: PAL: 960 × 576H; NTSC: 960 × 480H
Resolution	1080p (1920 × 1080); 960H (960 × 576/960 × 480)
BLC	BLC/WDR/HLC
WDR	130 dB
White Balance	Auto; Area WB

Gain Control	Auto; manual
Noise Reduction	3D NR
Smart Light	Yes
Mirror	Off/On
Privacy Masking	Off/On (8 area, rectangle)

Certifications

Certifications	CE (EN55032, EN55024, EN50130-4) FCC (CFR 47 FCC Part 15 subpartB, ANSI C63.4-2014) UL (UL60950-1+CAN/CSA C22.2 No.60950-1)
----------------	---

Port

Video Output	Video output choices of CVI/TVI/AHD/CVBS by one BNC port
Audio Input	One channel built-in mic (-A)

Power

Power Supply	12 V ±30% DC
Power Consumption	Max 3.3 W (12 V DC, LED on)

Environment

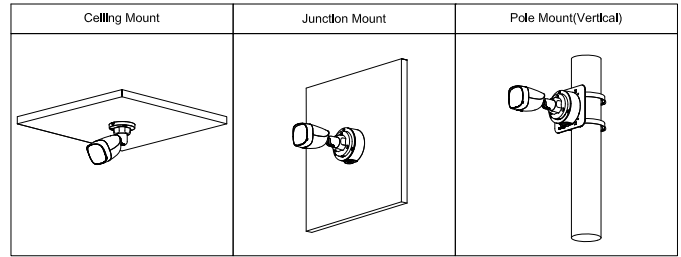
Operating Temperature	–40 °C to +60 °C (–40 °F to 140 °F); < 95% (non-condensation)
Storage Temperature	–40 °C to +60 °C (–40 °F to 140 °F); < 95% (non-condensation)
Protection Grade	IP67

Structure

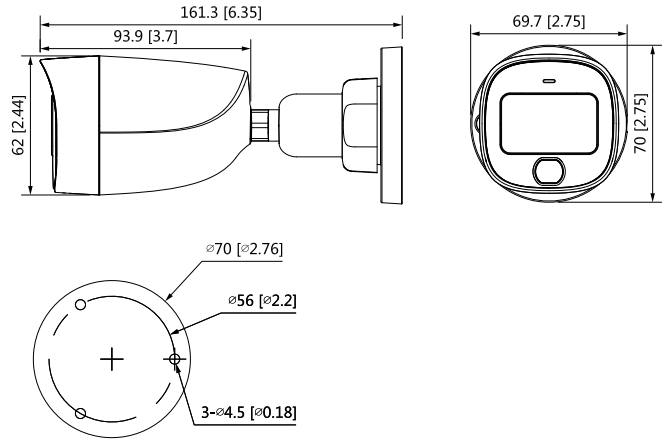
Casing	Metal front cover + plastic main body + plastic bracket
Camera Dimensions	161.3 mm × 69.7 mm × 70.0 mm (6.35" × 2.75" × 2.75")
Net Weight	0.20 kg (0.44 lb)
Gross Weight	0.27 kg (0.6 lb)

Ordering Information

Type	Model	Description
2MP Camera	DH-HAC-HFW1239CP-LED	2MP Full-color HDCVI Bullet Camera, PAL
	DH-HAC-HFW1239CN-LED	2MP Full-color HDCVI Bullet Camera, NTSC
	DH-HAC-HFW1239CP-A-LED	2MP Full-color HDCVI Bullet Camera, PAL
	DH-HAC-HFW1239CN-A-LED	2MP Full-color HDCVI Bullet Camera, NTSC
Accessories (Optional)	PFA134	Junction box
	PFA130-E	Water-proof Junction Box
	PFA152-E	Pole Mount Bracket (For use with PFA130-E Water-proof Junction Box)
	PFM800-E	Passive HDCVI Balun
	PFM321D	12 V 1A Power Adapter
	PFM820	UTC Controller
	PFM904	Integrated Mount Tester



Dimensions (mm [inch])



Accessories

Optional:



PFA134
Junction box



PFA130-E
Water-proof Junction Box



PFA152-E
Pole Mount Bracket (For use with PFA130-E Water-proof Junction Box)



PFM800-E
Passive HDCVI Balun



PFM321D
12V 1A Power Adapter



PFM820
UTC Controller



PFM904
Integrated Mount Tester