

## THC-T140-M 4 MP EXIR Turret Camera



### Key Features

- 4 MP high-performance CMOS
- 2560 × 1440 resolution
- 2.8 mm, 3.6 mm, 6 mm fixed lens
- Day/Night switch
- EXIR 2.0, smart IR, up to 20 m IR distance
- 4 in 1 video output (switchable TVI/AHD/CVI/CVBS)
- IP66

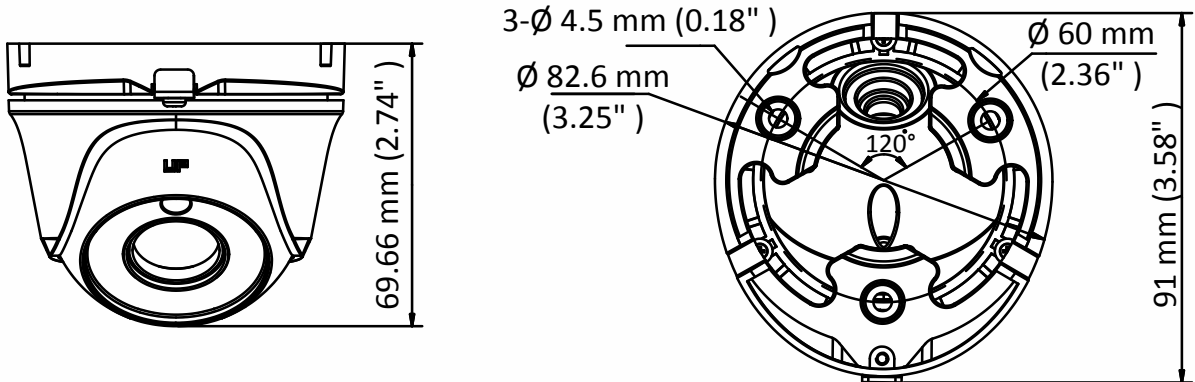
## Specifications

<b>Camera</b>	
Image Sensor	4 MP CMOS image sensor
Signal System	PAL/NTSC
Resolution	2560 (H) × 1440 (V)
Min. Illumination	0.01 Lux@(F1.2, AGC ON), 0 Lux with IR
Shutter Time	1/25 (1/30) s to 1/50,000 s
Lens	2.8 mm, 3.6 mm, 6 mm
Horizontal Field of View	100.2° (2.8 mm), 88° (3.6 mm), 56.9° (6 mm)
Lens Mount	M12
Day & Night	IR cut filter
Angle Adjustment	Pan: 0° to 360°, Tilt: 0° to 75°, Rotation: 0° to 360°
Synchronization	Internal synchronization
Video Frame Rate	PAL: 1080p@25fps, 4 MP@25fps NTSC: 1080p@30fps, 4 MP@30fps
<b>Menu</b>	
AGC	High/Medium/Low/Off
D/N Mode	Auto/Color/BW (Black and White)
BLC	Support
DWDR	Support
Language	English
Functions	Brightness, Sharpness, DNR, Mirror, Smart IR
<b>Interface</b>	
Video Output	1 HD analog output
Switch Button	TVI/AHD/CVI/CVBS
<b>General</b>	
Operating Conditions	-40 °C to 60 °C (-40 °F to 140 °F), Humidity: 90% or less (non-condensation)
Power Supply	12 VDC ± 15%
Power Consumption	Max. 4 W
Protection Level	IP66
Material	Metal
IR Range	Up to 20 m
Dimensions	∅ 82.6 mm × 69.66 mm (∅ 3.25" × 2.74")
Weight	230 g (0.51 lb.)

## Order Model

THC-T140-M

## Dimension



## Accessories



HIA-B401-110T  
Wall Mounting Bracket



HIA-B301  
Vertical Pole Mounting Bracket



HIA-B201  
Corner Mounting Bracket



HIA-J101  
Junction Box